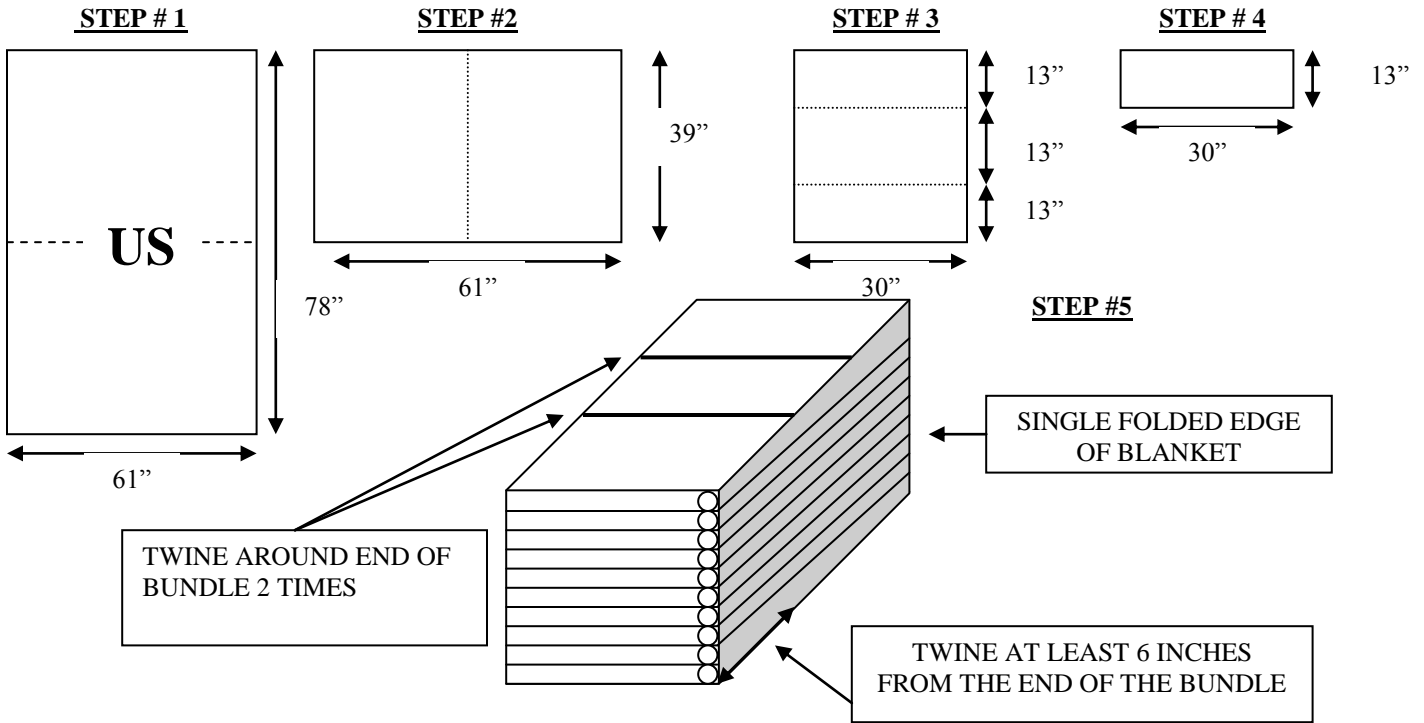


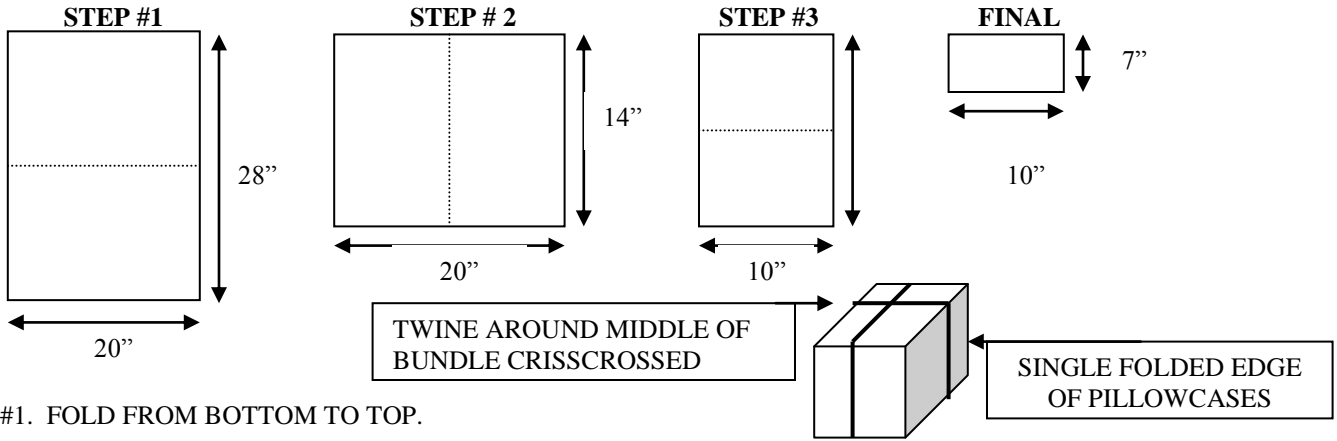
**FOLDING INSTRUCTIONS FOR BLANKET, WOOL, C.D.**



- STEP # 1. FOLD THE BOTTOM OF THE BLANKET TO THE TOP EDGE.
- STEP # 2. FOLD IN CENTER, LEFT SIDE TO RIGHT SIDE.
- STEP # 3. USING 13" FOLDS, FOLD THE TOP AND BOTTOM TO CENTER, AND OVER LAP.
- STEP # 4. THE BLANKET SHOULD NOW MEASURE 13" X 30"
- STEP # 5. PILE THE BLANKETS TEN (**10**) HIGH, ALL SINGLE FOLDED EDGES OF THE BLANKETS SHOULD BE TURNED TO THE SAME SIDE OF BUNDLE.
- STEP # 6. TIE BOTH ENDS OF BUNDLE WITH DOUBLE TWINE, TIE THE BUNDLES TIGHT AND KEEP THE TWINE SIX (6) INCHES FROM THE END OF THE BUNDLE.
- NOTICE: TORN OR DAMAGED BLANKETS SHOULD NOT BE BUNDLED, THESE BLANKETS SHOULD BE TURNED IN AS SEPARATE ITEMS.

**EXHIBIT D**

**FOLDING INSTRUCTIONS FOR PILLOWCASES**



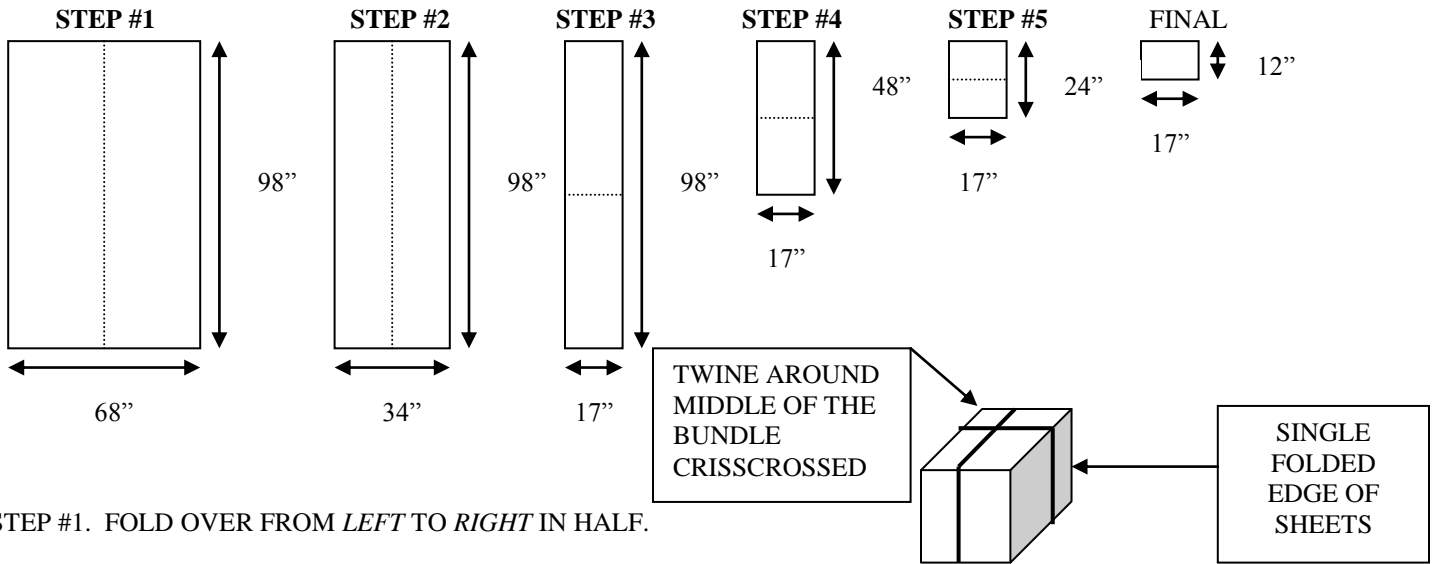
STEP #1. FOLD FROM BOTTOM TO TOP.

STEP #2. FOLD FROM LEFT TO RIGHT.

STEP #3. FOLD FROM BOTTOM TO TOP.

STEP #4. PILE 25 HIGH, FOLDED WITH THE SINGLE EDGE ALL ON ONE SIDE OF THE BUNDLE, TIE ALL FOUR SIDES WITH DOUBLE TWINE.

**FOLDING INSTRUCTIONS FOR SHEETS**



STEP #1. FOLD OVER FROM *LEFT TO RIGHT* IN HALF.

STEP #2. FOLD OVER FROM *LEFT TO RIGHT* IN HALF.

STEP #3. FOLD FROM *TOP TO BOTTOM* IN HALF.

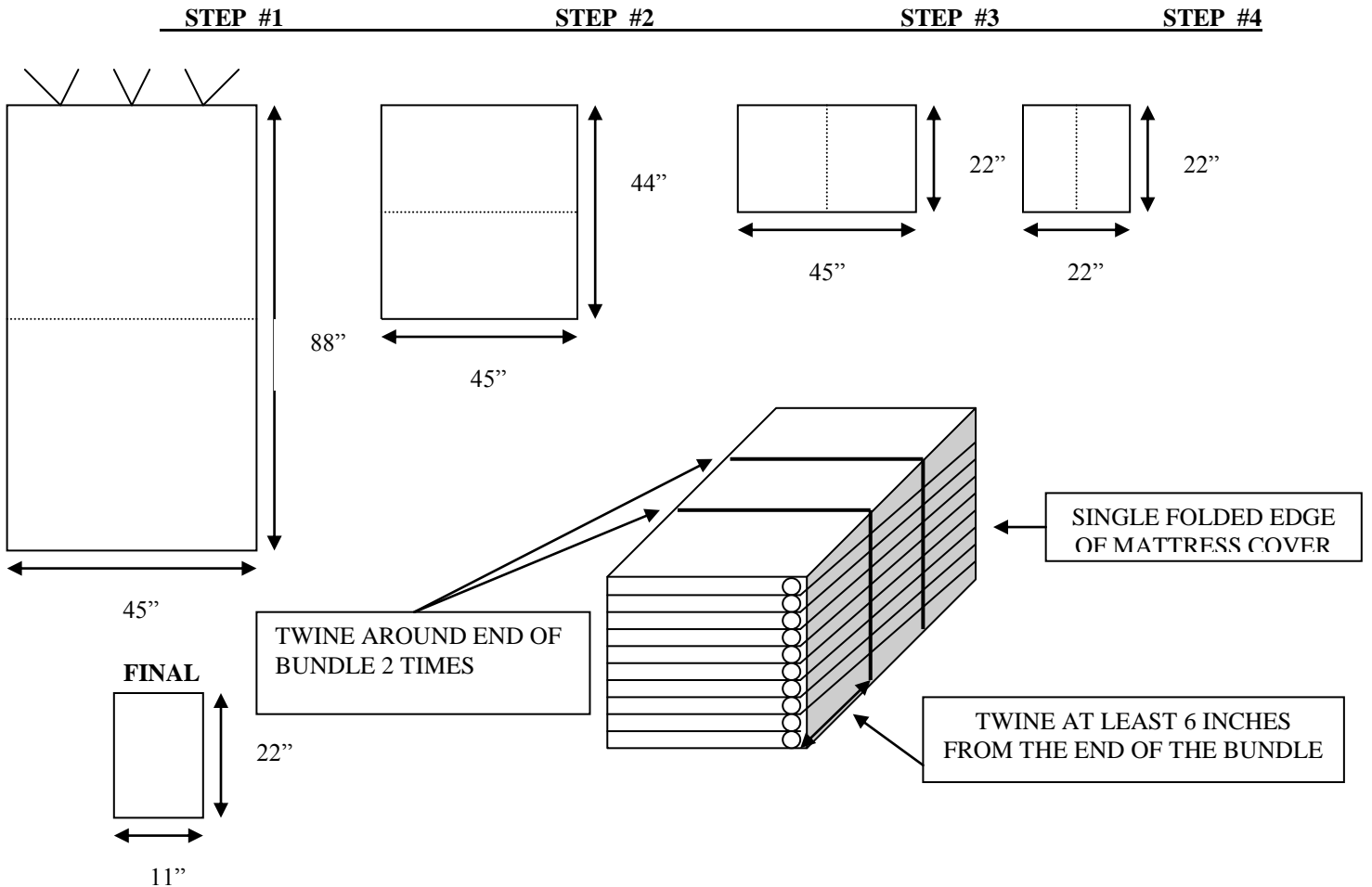
STEP #4. FOLD FROM *TOP TO BOTTOM* IN HALF.

STEP #5. FOLD FROM *TOP TO BOTTOM* IN HALF.

STEP #6. PILE 20 HIGH, FOLDED WITH THE SINGLE EDGE ALL ON ONE SIDE OF THE BUNDLE, TIE ALL FOUR SIDES WITH DOUBLE TWINE.

ALL

## FOLDING INSTRUCTIONS FOR MATTRESS COVER



STEP # 1. FOLD FROM THE *BOTTOM* TO THE *TOP* IN HALF.

STEP # 2. FOLD FROM THE *BOTTOM* TO THE *TOP* IN HALF.

STEP # 3. FOLD FROM *LEFT* TO *RIGHT* IN HALF.

STEP # 4. FOLD FROM *LEFT* TO *RIGHT* IN HALF.

STEP # 5. PILE THE MATTRESS COVERS TEN (**10**) HIGH, ALL SINGLE FOLDED EDGES OF THE MATTRESS COVERS SHOULD BE TURNED TO THE SAME SIDE OF BUNDLE.

STEP # 6. TIE BOTH ENDS OF THE BUNDLE WITH DOUBLE TWINE. TIE THE BUNDLES TIGHT AND KEEP THE TWINE SIX (6) INCHES FROM THE END OF THE BUNDLE.

NOTICE: TORN OR DAMAGED MATTRESS COVERS SHOULD NOT BE BUNDLED, THESE MATTRESS COVERS SHOULD BE TURNED IN AS SEPARATE ITEMS.